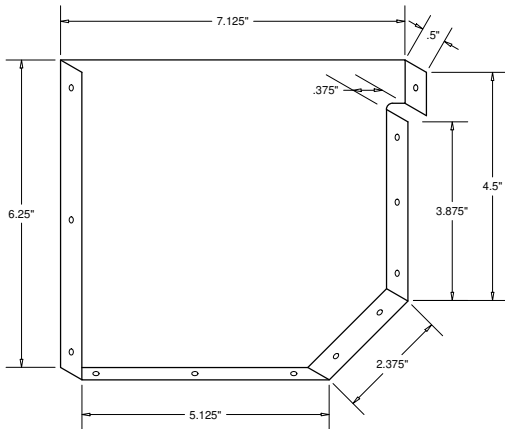


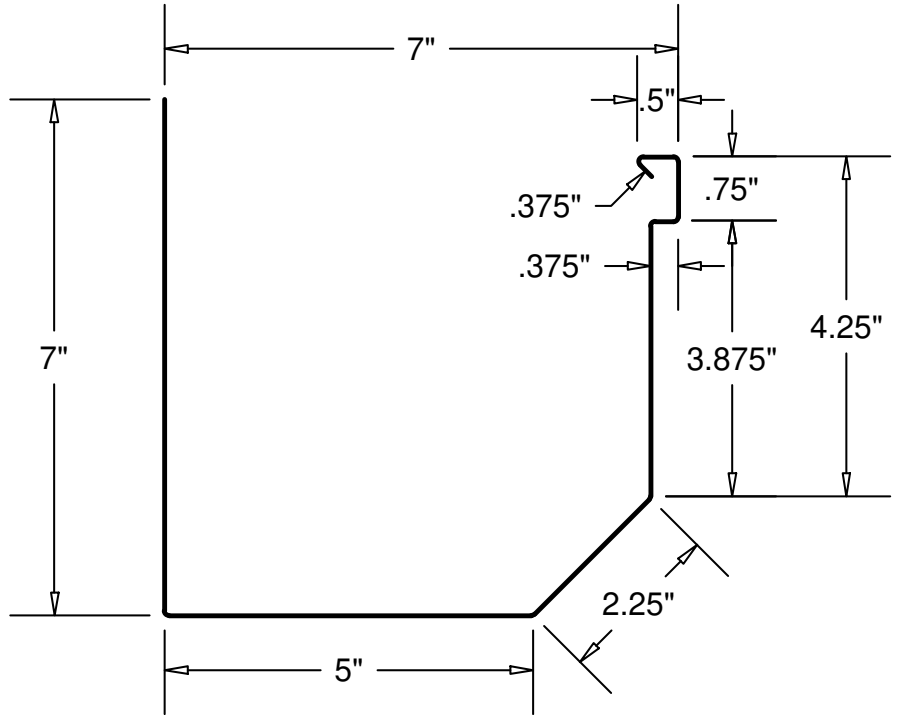
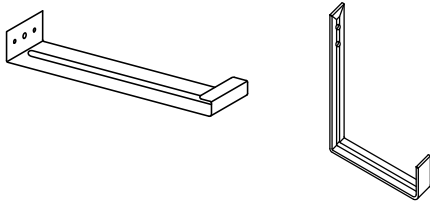
7-D STYLE GUTTER + ACCESSORIES



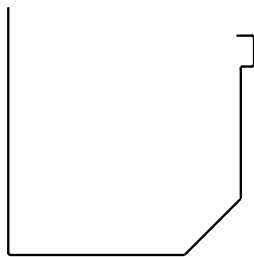
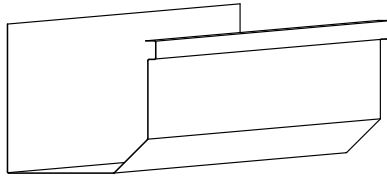
END CAPS



GUTTER SUPPORT BRACKETS



SPLICE PLATES



RESET FORM **SAVE FORM** **EMAIL FORM**

MATERIAL:

22GA STEEL	.032 ALUMINUM
24GA STEEL	.040 ALUMINUM
26GA STEEL (limited color availability)	.050 ALUMINUM
	16OZ COPPER
	20OZ COPPER

COLOR: Select Color

QUANTITIES:

- ___ LINEAL FEET @ 10'-0" LENGTHS ②
- ___ LINEAL FEET @ 20'-0" LENGTHS ①②
- ___ OUTSIDE MITERS @ 90°
- ___ INSIDE MITERS @ 90°
- ___ ENDCAPS: RIGHT ___ LEFT ___
- ___ SPLICE PLATES
- ___ EXPANSION JOINTS
- ___ HIDDEN HANGERS
- ___ GUTTER SUPPORT BRACKETS

NOTES:

- ① Subject to minimum requirements
- ② Custom lengths available

PRINT APPROVED BY:

(SIGNATURE) _____ (DATE)

A SIGNED PRINT APPROVAL SIGNIFIES A CUSTOMER HAS VERIFIED ALL DIMENSIONS, SIZES, QUANTITIES, AND MATERIAL TYPES.

FABRICATION WILL PROCEED ONLY AFTER RECEIPT OF SIGNED PRINT APPROVAL

PROJECT INFORMATION

(PROJECT NAME)

(ARCHITECT)

(CUSTOMER)

(REPRESENTATIVE/ DISTRIBUTOR)

Roof Drainage Components & Accessories, Inc

60 Don Wesbrook Ave North
Jasper, GA 30143

706-692-7333

sheffield@rdcaa.com

www.rdcaa.com