



Construction No. 373
TGKX.373
Roof Deck Constructions

[Page Bottom](#)

Design/System/Construction/Assembly Usage Disclaimer

- Authorities Having Jurisdiction should be consulted in all cases as to the particular requirements covering the installation and use of UL Listed or Classified products, equipment, system, devices, and materials.
 - Authorities Having Jurisdiction should be consulted before construction.
 - Fire resistance assemblies and products are developed by the design submitter and have been investigated by UL for compliance with applicable requirements. The published information cannot always address every construction nuance encountered in the field.
 - When field issues arise, it is recommended the first contact for assistance be the technical service staff provided by the product manufacturer noted for the design. Users of fire resistance assemblies are advised to consult the general Guide Information for each product category and each group of assemblies. The Guide Information includes specifics concerning alternate materials and alternate methods of construction.
 - Only products which bear UL's Mark are considered as Classified, Listed, or Recognized.
-

Roof Deck Constructions

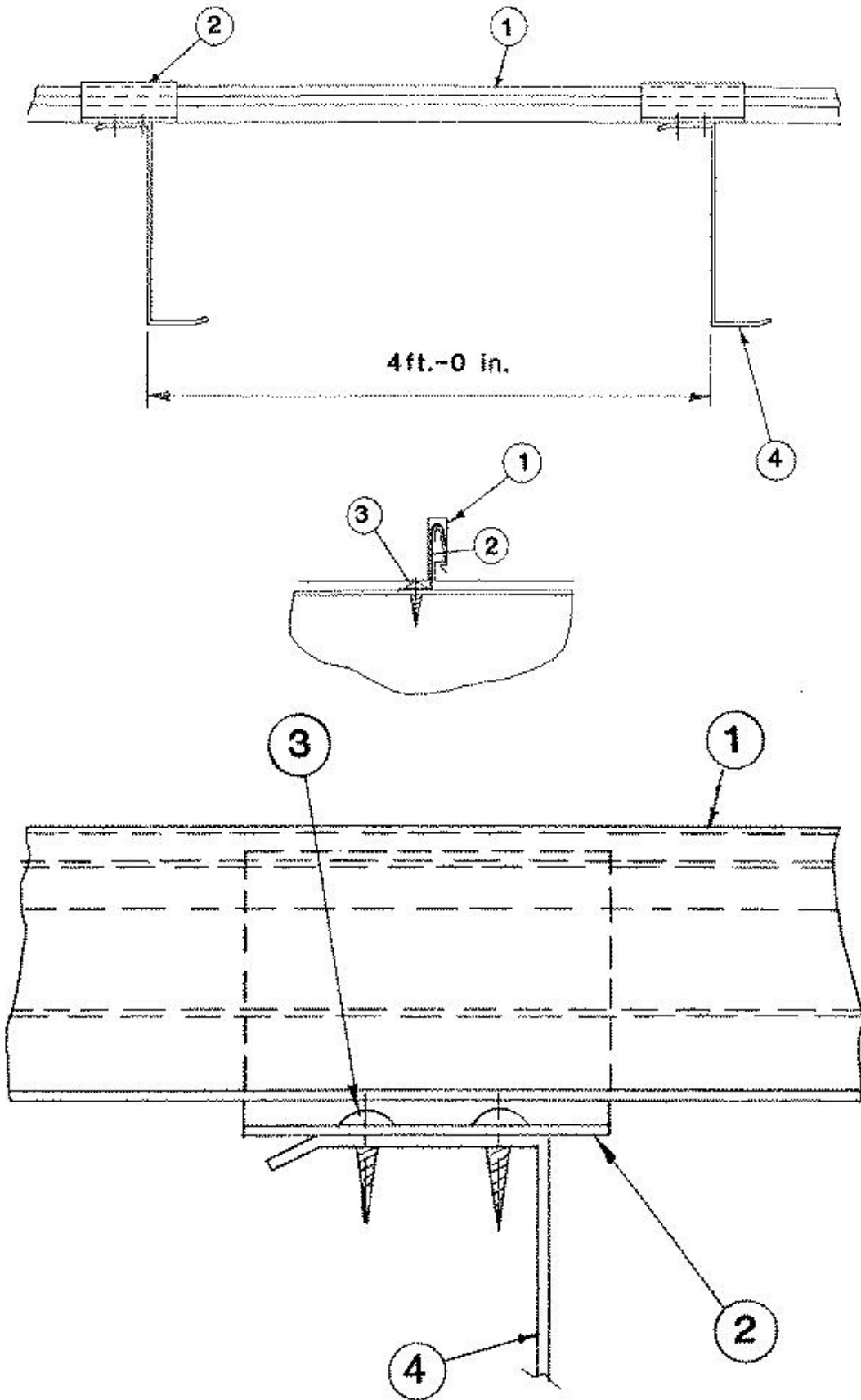
[See General Information for Roof Deck Constructions](#)

Construction No. 373

November 12, 2011

Uplift — Class 90

Fire Not Investigated



1. **Metal Roof Deck Panels*** — No. 24 MSG min thickness, coated steel. Width 12 in., length at female rib 1-1/2 in. Panels continuous at two or more spans with no end laps. A bead of sealant may be used at panel side joints.

BOBBY JAMES INC ([View Classification](#)) — "BJI 550"

NEW TECH MACHINERY CORP ([View Classification](#)) — "SS 550"

PREMIUM PANELS INC ([View Classification](#)) — "Premium Snap 550" or "P.S. 550"

ROOFMASTERS ROOFING & SHEET METAL

CO INC ([View Classification](#)) — "Snap Master"

SHEFFIELD METALS INTERNATIONAL ([View Classification](#)) — "CR-150-SL"

STREAMLINE ROOFING & CONSTRUCTION

INC ([View Classification](#)) — "150SL"

U S METALS L L C ([View Classification](#)) — "US-150LS"

2. **Roof Deck Fasteners*** — (Panel Clips) — One piece assembly, 4 in. wide, 1-5/8 in. high, one panel clip located at each purlin intersection.

LOGAN STAMPINGS INC ([View Classification](#)) — "Snap Lock Clip No. 550 "

3. **Panel Fasteners** — (Screws) — Fasteners used for panel-clip-to-purlin attachment to be No. 10-16 by 9/16 in. long self-drilling, self-tapping, pancake head, No. 2 Phillips drive, No. 3 point, plated steel screws. Two screws per clip to be used, inserted through 1/4 in. diam guide holes.

4. **Purlins** — No. 16 MSG min thickness steel (50,000 psi min yield strength). Spacing to be 48 in. OC.

Refer to General Information, Roof Deck Construction (Roofing Materials and Systems Directory) for Items not evaluated.

*Bearing the UL Classification Mark

Last Updated on 2011-11-12

[Questions?](#)

[Print this page](#)

[Notice of Disclaimer](#)

[Page Top](#)

© 2012 UL LLC

The appearance of a company's name or product in this database does not in itself assure that products so identified have been manufactured under UL's Follow-Up Service. Only those products bearing the UL Mark should be considered to be Listed and covered under UL's Follow-Up Service. Always look for the Mark on the product.

UL permits the reproduction of the material contained in the Online Certification Directory subject to the following conditions: 1. The Guide Information, Designs and/or Listings (files) must be presented in their entirety and in a non-misleading manner, without any manipulation of the data (or drawings). 2. The statement "Reprinted from the Online Certifications Directory with permission from UL" must appear adjacent to the extracted material. In addition, the reprinted material must include a copyright notice in the following format: "© 2012 UL LLC".